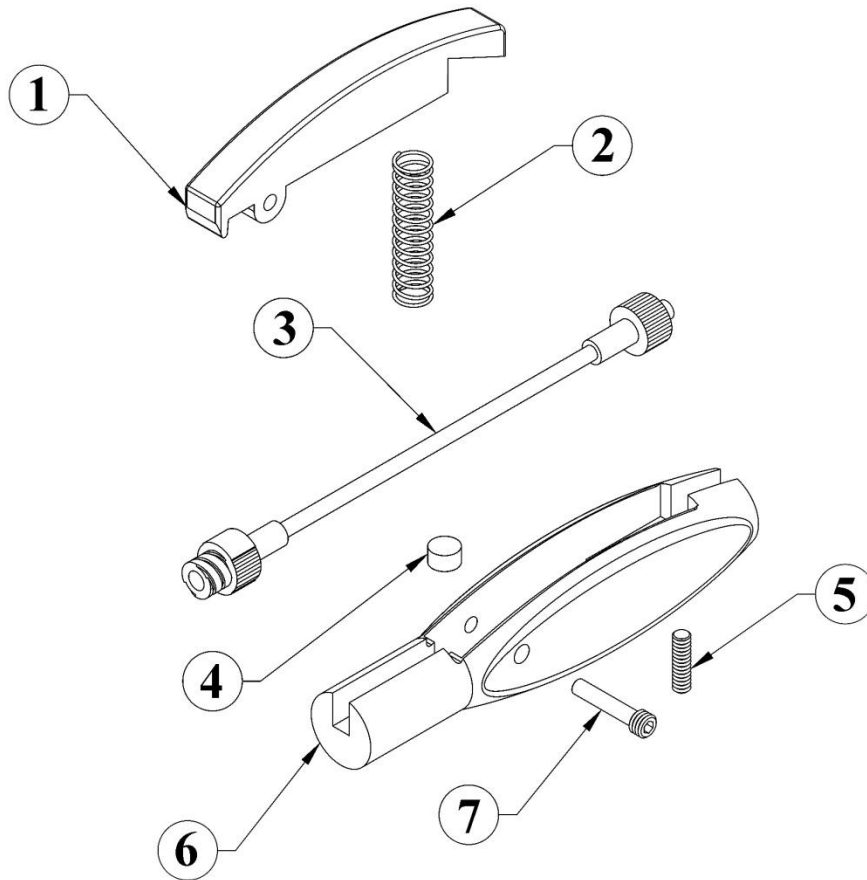


## TS1201 Pinch Tube Pen



**Lubrication:** No lubrication required on valve.

Item	Part Number	Description	Item	Part Number	Description
1	1201-000-002	Trigger, Handle	5	TSD1123-15	Flow Adjustment Screw
2	TSD1150-7	Spring	6	1201-000-001	Body
3	SEE CHART	Pinch Tube	7	1201-000-003	Pin
4	1212-000-005	Pinch Cushion			

Item	Part Number	Description
3*	1201-000-004PK	Pinch Tube, Clear PE, Male to Female, 0.1" (2.54mm) ID
3*	1201-000-004BPK	Pinch Tube, Black PE, Male to Female, 0.1" (2.54mm) ID
3*	1201-000-006PK	Pinch Tube, Clear PE, Male to Female, 0.07" (1.78mm) ID
3*	1201-006-000PK	Pinch Tube, Clear PU, Male to Female, 0.125" (3.18mm) ID